

Non Woven cooler bag

Laminated non-woven cooler bags are the alternative to conventional foil freezer bags.

The bags have a minimum of 3 mm thick aluminium insulation on the inside, foamed non-woven material on top and then an OPP lamination.

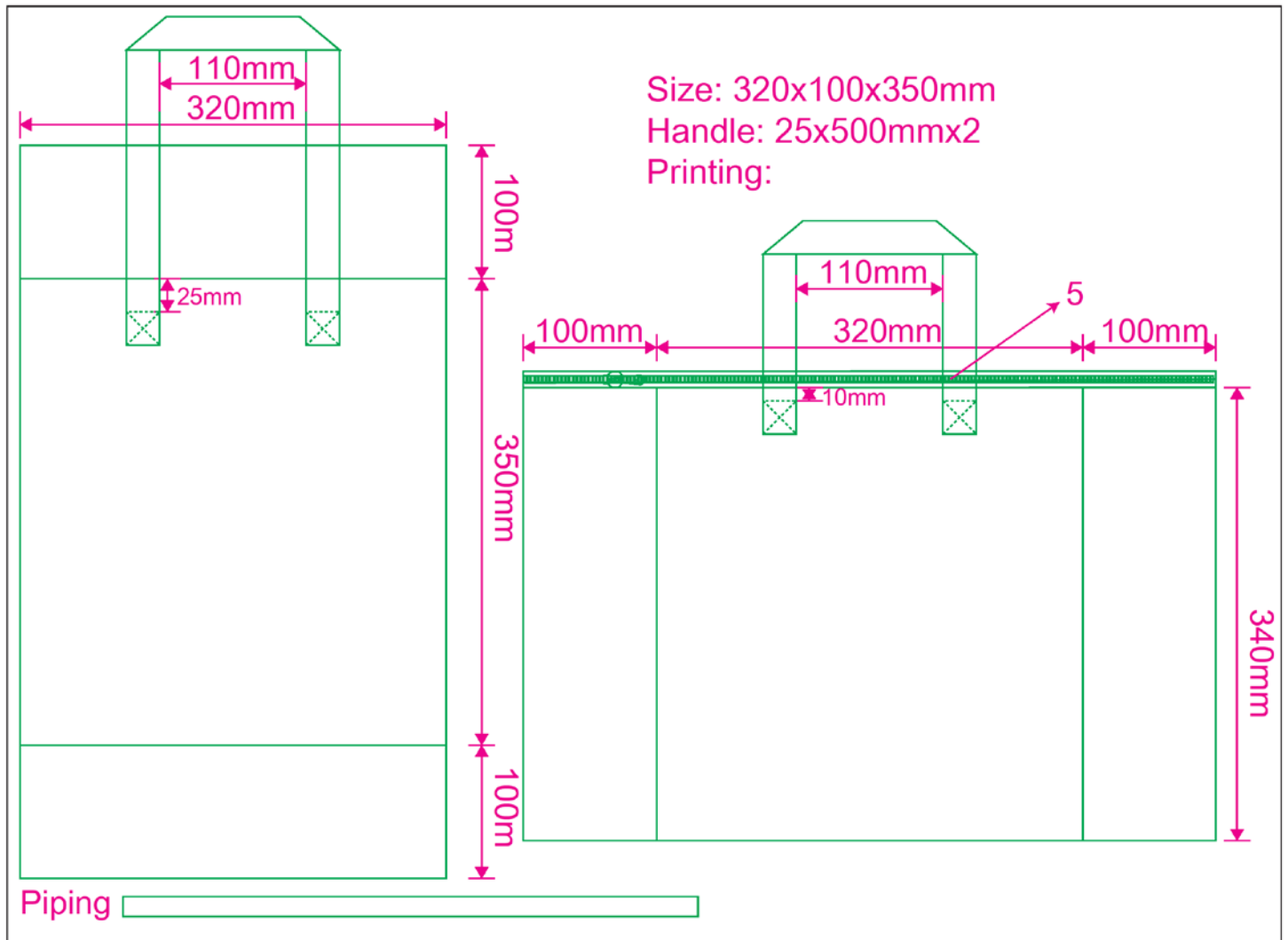
Laminated non-woven cooler bags are printed using gravure printing and impress with their sharp print images.



Our non woven carrier bags are characterised by the following criteria:

- Foamed polypropylene material
 - Thickness from 80 - 170 gr.
 - Aluminium insulation - min. 3 mm thickness
 - OPP lamination matt or glossy
- Any format possible
 - Type of printing: gravure printing up to 11 colours on the OPP lamination
 - Handles in different lengths or long and short possible
 - Outer and inner pockets
 - Hangtags
 - Various closure options, such as zip, press stud and Velcro fastener
 - Bag edges sewn inwards or hemmed with piping

Artwork sample



We would also be happy to advise you personally and give you creative ideas or technical information. Just call me on +49 (0) 8035 983-0. We are very much looking forward to a joint project.